

Mounting of the kit on the valve (Fig 1 & Fig 2)

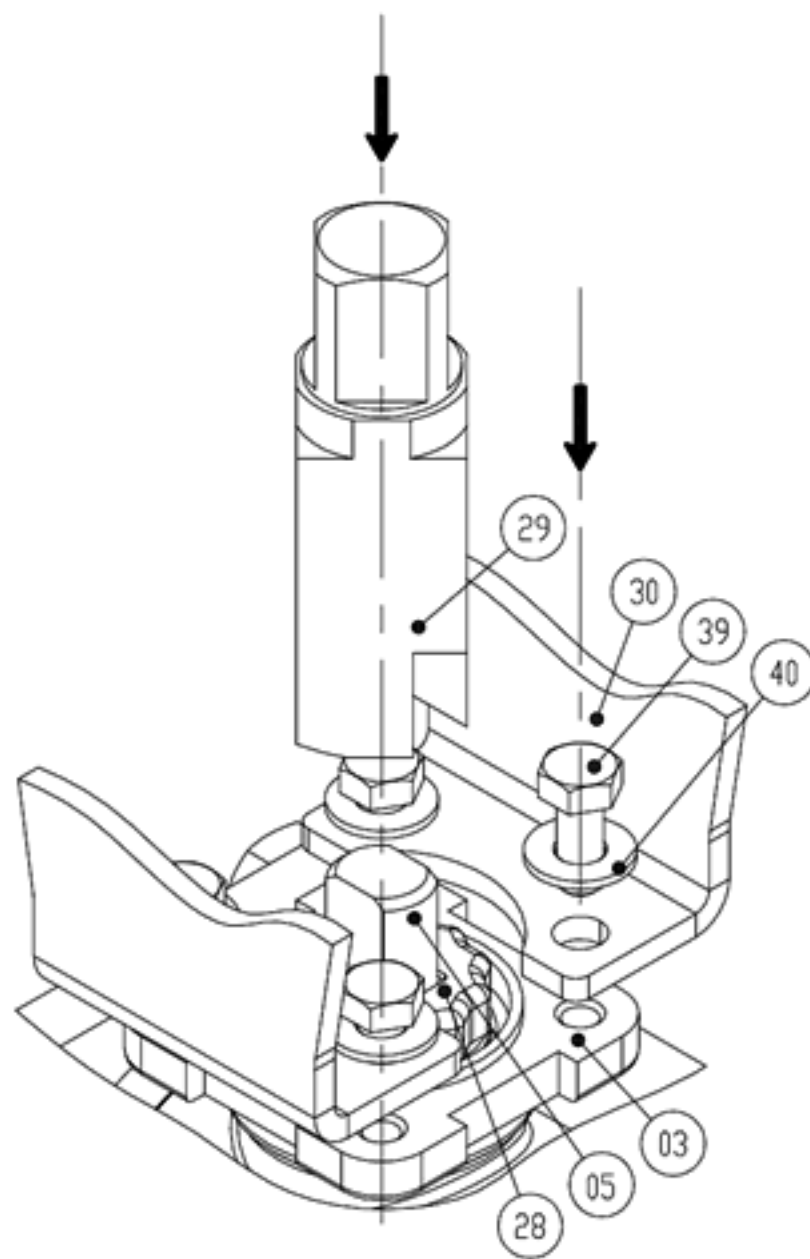


Fig 1

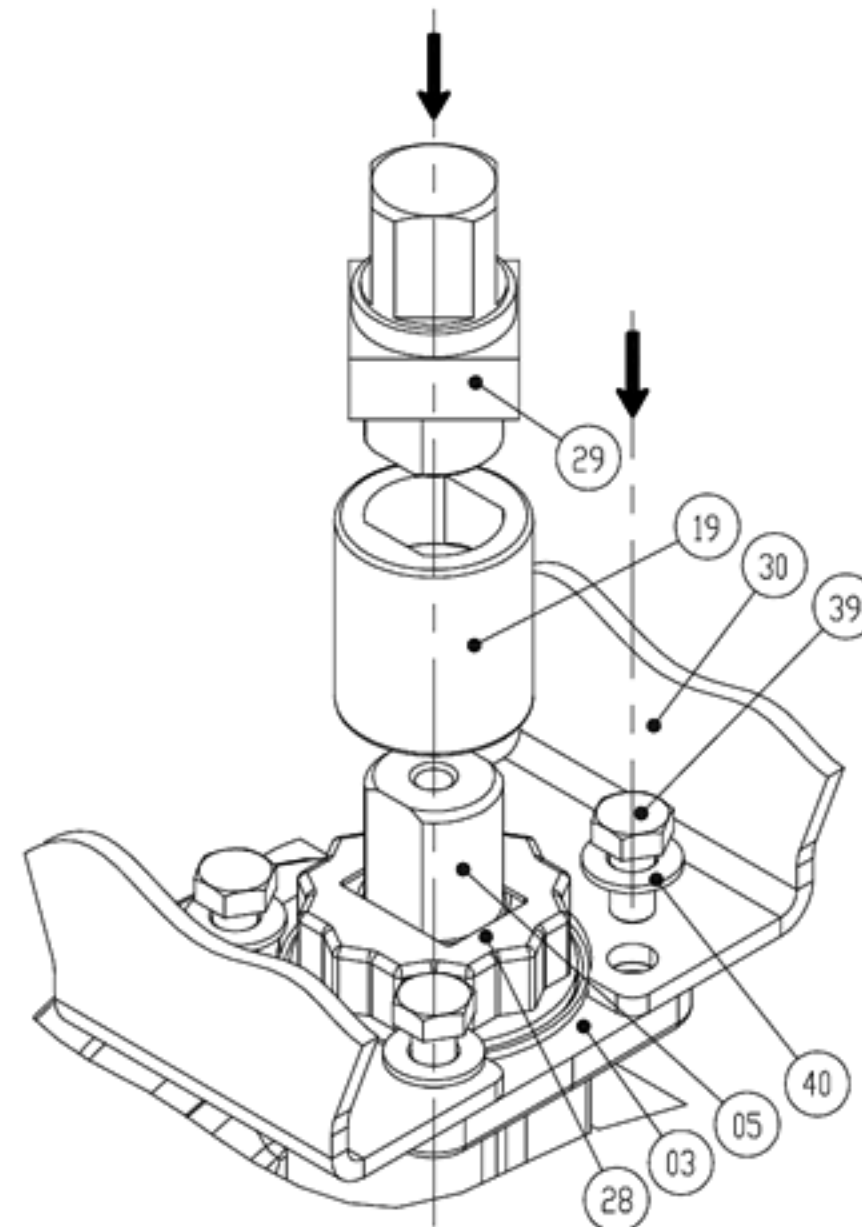


Fig 2

1. Position the kit (30) on Valve ISO top flange (03)
2. Check that nut stop (28) is mounted
3. Position the 4 washers (40) and the 4 screws (39) and tighten them all
4. Body DN 10 to 50: position coupling part (29) on the valve stem (05)
5. DN 65 to 200: position lever xx (19) on the valve stem (05) and insert coupling part (29) into the stem adaptor

Mounting of the actuator on the kit (Fig 3)

Spring return actuator (SE)

Actuator is delivered in closed position when Failure Close and in Open position when Failure Open. When Failure close, it is necessary to close the valve either with lever or any appropriate tool by turning a 1/4 turn the valve stem (29). In case of Failure Open, make sure the valve is in the open position.

1. Insert actuator (31) onto the coupling part
2. Position the washers (33) and the screws (32)
3. Check actuator position (perpendicular to the valve)
4. Screw and tighten

Double Acting actuator (DE)

Double acting actuator is supplied in closed position. Visual indicator (41) is perpendicular to the actuator body (31)

1. Position the actuator (31) in the open position
2. Check that valve is in the open position
3. Insert actuator (31) onto coupling part (29)
4. Position the washers (33) and screws (32)
5. Check actuator position (must be perpendicular to the valve)
6. Screw and tighten

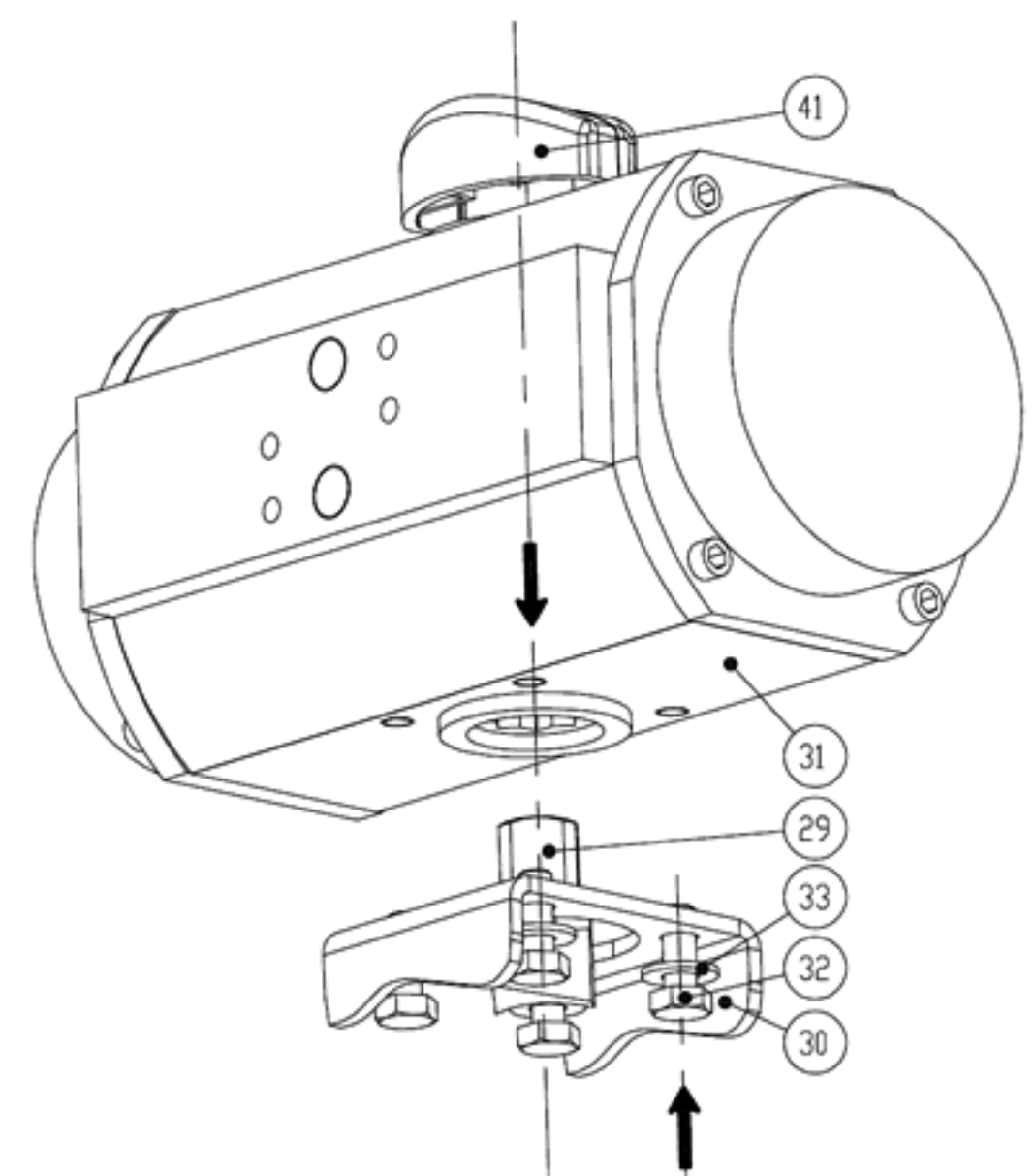


Fig 3