

PZ4 ET / R2Z ET series

STEAM JACKETED PROCESS



Applications

It is required to maintain a specific temperature in the pipe in following cases:

- Respect process requirement in a chemical reaction.
- To avoid physical modification of the product (polimerization, hardening, ...)

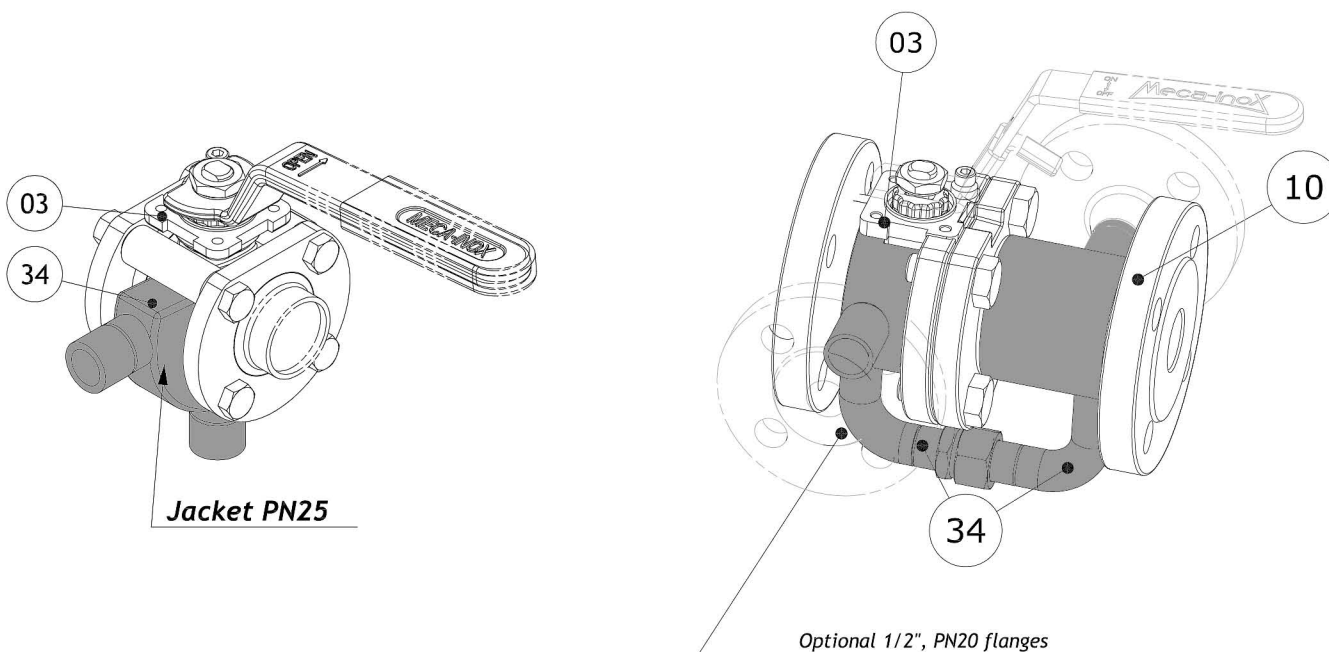
MECA-INOX Solution

Steam-jacketed ball valves. 3-piece (PZ4 ET) or split-body (R2Z ET) design:

A jacket is welded on the body to use steam or thermal oil.

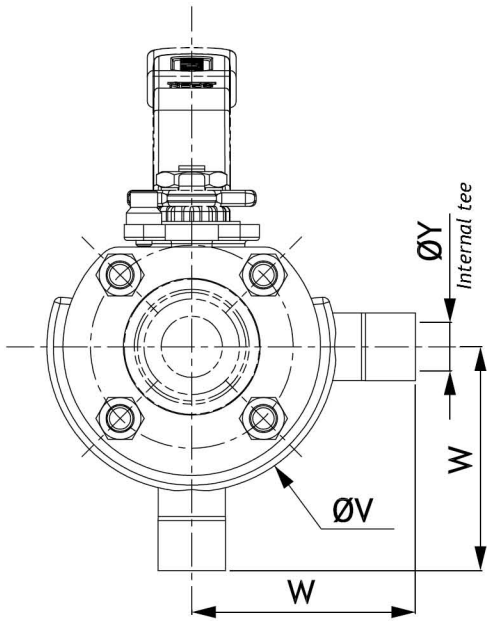
Thus, the temperature of the product, through the valve, will be held.

- Jacket volume is sized to allow an optimum heating effect on the valve body
- The whole valve is heated in the 2-piece construction (body and connector)
- PZ4 / R2Z (PTFE + PEEK) seats to guarantee proper sealing under high temperature

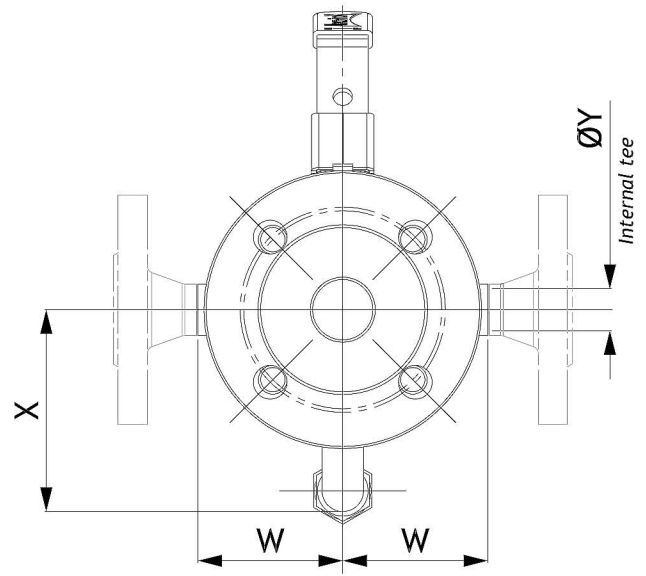


Item	Qty	Description	Material (ASTM) R2Z ET	Matière (ASTM) PZ4 ET
03	1	Body	CF-8M	CT-3M
10	1	Bodyconnector	CF-8M	-
34	1	Steam jacket	316L	316L

Dimensions



3-piece version, PZ4 ET series



2-piece version, R2Z ET series

3-piece version, PZ4 ET series

Size		PN	ØV	W	ØY	Volume steam jacket
08-12	1/4"-3/8"	100	70	67	Gaz 3/8"	9 cm ³
15	1/2"	100	70	72	Gaz 3/8"	23 cm ³
20	3/4"	100	75	72	Gaz 3/8"	48 cm ³
25	1"	70	90	74	Gaz 3/8"	76 cm ³
32	1"1/4	70	97	79	Gaz 3/8"	102 cm ³
40	1"1/2	50	107	89	Gaz 3/8"	184 cm ³
50	2"	50	127	105	Gaz 1/2"	289 cm ³
65	2"1/2	40	-	100	Gaz 1/2"	110 cm ³
80	3"	40	-	120	Gaz 1/2"	114 cm ³
100	4"	25	-	130	Gaz 1/2"	211 cm ³
125	5"	25	-	150	Gaz 3/4"	407 cm ³
150	6"	16	-	170	Gaz 3/4"	527 cm ³

2-piece version, R2Z ET series

DN Size		PN	W	X	ØY	Volume steam jacket
15	1/2"	40	50	70	Gaz 3/8"	90 cm ³
20	3/4"	40	60	80	Gaz 3/8"	130 cm ³
25	1"	40	60	82	Gaz 3/8"	120 cm ³
32	1"1/4	40	80	85	Gaz 3/8"	220 cm ³
40	1"1/2	40	102	90	Gaz 3/8"	300 cm ³
50	2"	40	111	125	Gaz 3/8"	470 cm ³
65	2"1/2	16	127	135	Gaz 1/2"	800 cm ³
80	3"	16	131	140	Gaz 1/2"	1390 cm ³
100	4"	16	160	140	Gaz 1/2"	1970 cm ³